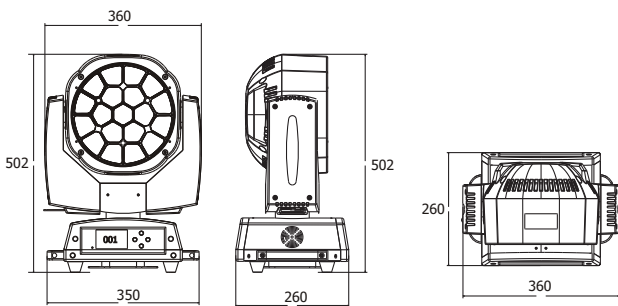
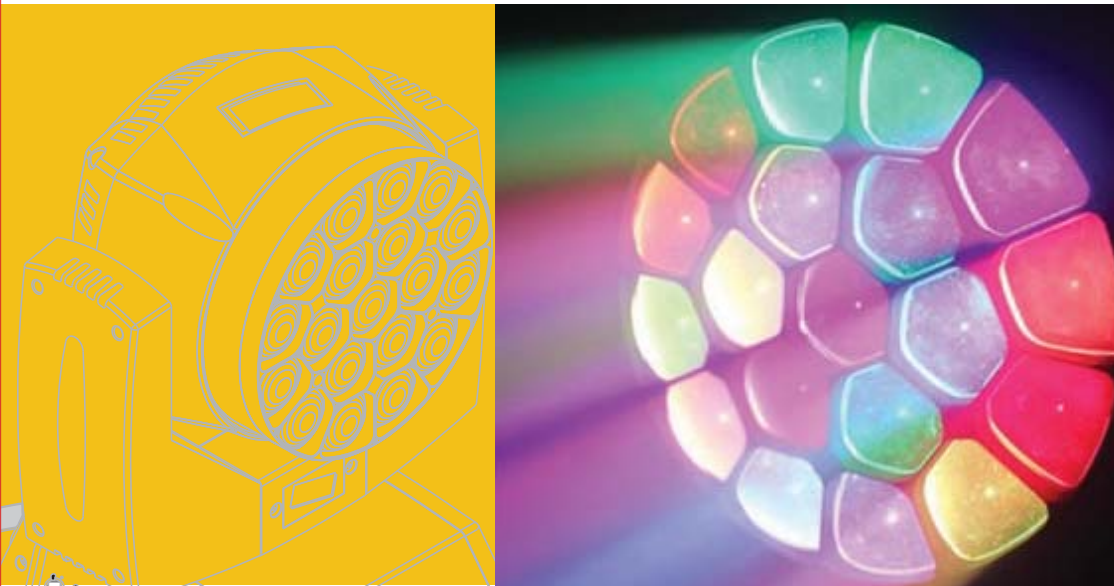


Rotate-450RGBW(LCA028)

Rotate-450, special, unique and decent design, It combines honeycomb concept so that the item is far ahead in LED moving head domain. The item is named honeybee eye. It is high performance wash light, beam, pattern and special effect light as well. The zoom ranges from 4° to 60°. Beam and wash effect can be switched at will. Each LED can be controlled separated. It creates the colorful effect, the front lens may be infinitely rotation in forward and reverse which may be opened and closed like petals by adding colors and dynamic graphics. Each LED has individual color effect and color beam effect by light pipe by which the ray is toward lens.

Zoom from 4degC to 60degC



Specification

- Rated Voltage: AC100V~240V 50-60HZ
- Rated Power: 450W
- LED Qty: 19x15W high power 4 in 1 LEDs
- LED Drive Current: 1000mA
- Beam Angle: 4°-60° Zoom
- IP : Ip20
- DMX Mode: 21CH (Standard) /35CH(Shapes)/78CH(Extend) /97CH(Extend RGBW)/92CH(Full)
- Net weight: 15 Kg
- Gross weight: 18.2Kg

Product feature

- XLR sockets input/output 3Pin
- Power input/output
- 4 kinds of control model: DMX512, Artnet, Sound active, Master/slave
- LCD display screen
- Display screen can be turned upside down with 180° to fit the installation in different place
- Indoor operation temperature: -20° C~+40° C
- 5 DMX modes: 21/35 /78/97/92CH
- dimmer:0-100% linear dimmer
- Pan/tilt:
 - * 16bit fine pan/tilt control
 - * Smooth and accurate locating
 - * Pan: 540° Tilt:210°
 - * Motor rotation in forward and reverse can be setting up
- Each LED can be controlled individually, rich colour
- The front lens may be infinitely rotation in forward and reverse
- 0-20HZ strobe
- Zoom angle: 4° -60°
- Certification : CE , ROHS
- EMC:EN 55215 (2006) -EN 55015 A2 (2009)EN 61547 (2009) - EN 61000-3-2 (2006) EN 61000-3-2 A2 (2006) - EN 61000-3-3 (2008)
- LVD: EN 60598-1(2008)- En60598-2-17 (1989) EN 60589-2-17 A2(1991)



R	11360	3730	1560	830 lux
G	22160	6700	2900	1640 lux
B	3780	1140	503	278 lux
W	28160	8700	3750	2139 lux
RGBW	59360	18600	8100	4380 lux

